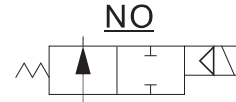
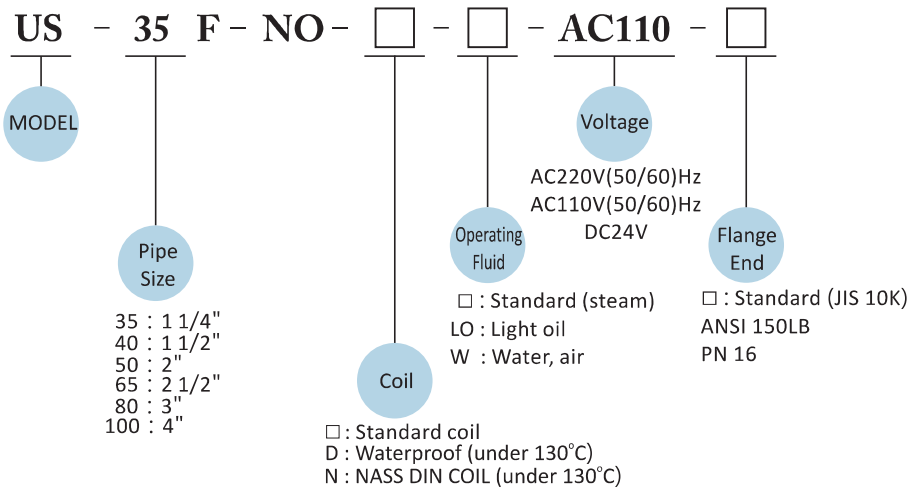


US-35F-NO~100F-NO



PRODUCT DESCRIPTION

- USF-NO series is multiplex, piston guiding, conductive and normally closed (NC) 2/2 way solenoid valve.
- Applied fluid type : water, air, light oil
- Acceptable for customize Viton (130°C) , Silicone (130°C) and EPDM (130°C) for seal plug and diaphragm

CAUTIONS:

- Minimum pressure to open: over 0.5kgf-cm²
- Before pipelining, the pipe line must be very clean without any contaminants impurity.
- To extend the lifetime, Y-type filter at the front end of solenoid valve.
- AC voltage tolerance: ± 10%; DC voltage tolerance: ± 1%
- It should be installed horizontally; vertical installation is not advisable.

Not Suitable For Fluid As Below:

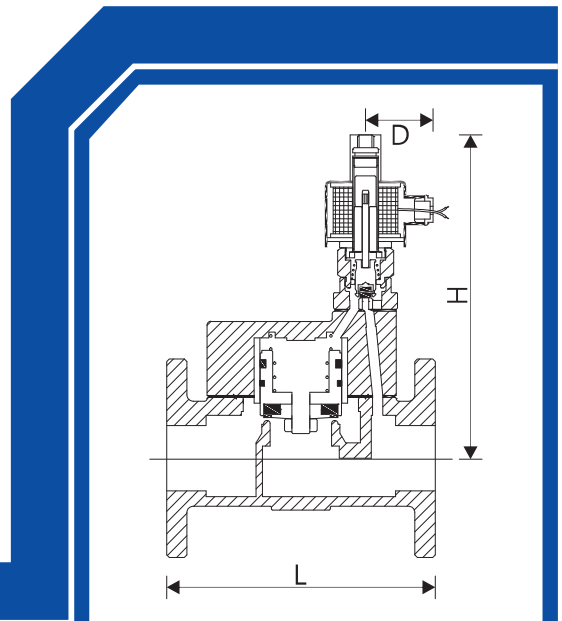
- Liquid status when it is in high temperature; solid status when it is in low temperature.
- Corrosive fluid
- Viscosity over 20cst

MATERIAL:

PARTS	Coil	Tube	Spring	Core	Plug	Piston Spring	Piston plug	Valve body
MATERIAL	Special copper wire (H class)	Stainless steel	Stainless steel	Stainless steel	VITON	Stainless steel	PTFE	Cast Iron (FC-20)

SPECIFICATION

MODEL	Waterproof DIN/flying lead Coil	NASS DIN Coil (IP65)	PIPE SIZE	CV	ORIFICE	FLUID TEMP. (°C)	Operating Pressure kgf / cm ² (bar)					Dimension (mm)			Weight (kg)
							Water	Air	Steam	Light oil	Gas	L	H	D	
US-35F-NO	●		1 1/4"	22	35mm	-5°C ~ +130°C	1~8	1~8	1~8	1~8		200	220	48	10.9
US-40F-NO	●		1 1/2"	30	40mm	-5°C ~ +130°C	1~8	1~8	1~8	1~8		200	220	48	11.1
US-50F-NO	●		2"	40	50mm	-5°C ~ +130°C	1~8	1~8	1~8	1~8		210	233	48	13.4
US-65F-NO	●		2 1/2"	68	65mm	-5°C ~ +130°C	1~8	1~8	1~8	1~8		240	240	48	19.4
US-80F-NO	●		3"	100	80mm	-5°C ~ +130°C	1~8	1~8	1~8	1~8		300	259	48	27.2
US-100F-NO	●		4"	175	100mm	-5°C ~ +130°C	1~8	1~8	1~8	1~8		340	274	48	38.9



Normally Open Type